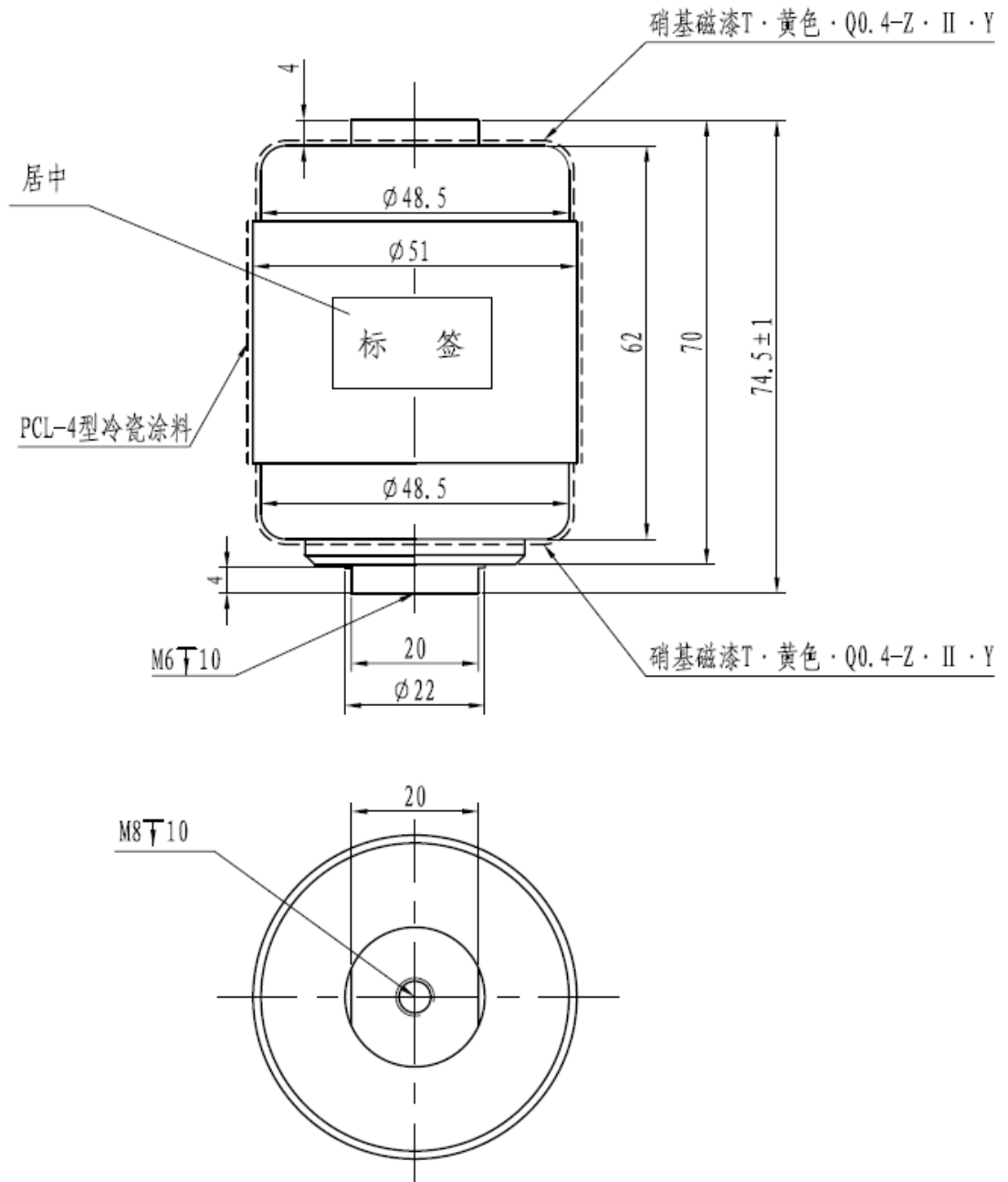


TJ-1.14/400E

型接触器用真空灭弧室

Vacuum Interrupter For Contactor



TJ-1.14/400E 真空开关管技术参数

| 序号 No. | 主要技术参数 Main Technical Specification | 型号 Type | |
|---|---|--------------|--------------|
| | | TJ-1.14/400E | |
| 电气参数 ELECTRIC RATINGS | | | |
| 1 | 额定电压 Rated Voltage | kV | 1.14 |
| 2 | 额定电流 Rated Current | A | 400 |
| 3 | 额定频率 Rated Frequency | Hz | 50/60 |
| 4 | 额定短时（1分钟）工频耐受电压 Rated Short-time(1min) Power-Frequency Withstand Voltage | kV | 10 |
| 5 | 触头自闭力下的回路电阻 Circuit Resistance At Contact Force From Atmosphere | $\mu \Omega$ | ≤ 120 |
| 6 | 雷电冲击耐受电压 Lightning Impulse Withstand Voltage | kV | / |
| 7 | 额定关合能力 Rated Making Capacity | kA/50Times | 4 |
| 8 | 额定开断能力 Rated Breaking Capacity | kA/50Times | 3.2 |
| 9 | 极限开断能力 Limited Breaking Capacity | kA/3Times | 4.5 |
| 10 | 额定短时耐受电流，10秒 Rated Short-time Withstand Current, 10s | kA | 3.2 |
| 11 | 额定峰值耐受电流 Rated Peak Withstand Current | kA | 8 |
| 寿命 LIFE | | | |
| 1 | 机械寿命 Mechanical Life | Times | 1,000,000 |
| 2 | 电寿命 Electrical Life | Times | 60,000 |
| 3 | 储存时间 Storage Life | years | ≥ 10 |
| 4 | 触头允许磨损厚度 Contacts Erosion Limit | mm | 1 |
| 机械数据 MECHANICAL DATA | | | |
| 1 | 触头自闭力 Contact Force From Atmosphere | N | 85 ± 10 |
| 2 | 触头反力 Counterforce of Contacts at Full Stroke | N | 105 ± 15 |
| 配套的真空开关设备应满足的机械参数 MECHANICAL DATA OF VACUUM SWITH EQUIPPED WITH THE INTERRUPTERS | | | |
| 1 | 触头开距 Contact Stroke | mm | 2 ± 0.2 |
| 2 | 超行程 Overtrave | mm | 1 ± 0.2 |
| 3 | 平均分闸速度 Average Opening Speed | m/ s | 0.3~0.5 |
| 4 | 平均合闸速度 Average closing speed | m/ s | 0.05~0.15 |
| 5 | 触头合闸弹跳时间 Contact Bouncing Duration at Cosing Operation | ms | ≤ 3 |
| 6 | 额定触头压力 Rated Added External Contactfinal Force | N | 120 |